

aquataps

THE FILTERED TAP COMPANY

CLASSIC MODEL

Video Guide



Installation & User Guide

THE TAP FOR ALL

WELCOME TO YOUR BRAND NEW



aquatap **CLASSIC**

4 in 1 BOILING WATER TAP

IMPORTANT NOTICE:

When correctly installed and maintained with care, your Aquataps boiling water tap will give you many years of trouble free service. **This product is not for outdoor use.** This product can cause harm if installed incorrectly. Should you decide to install this product yourself, please refer to the instructional videos or guide on our website. Alternatively, please contact a professional installation service.

Please read and fully understand all installation instructions before installing and using this application. If in doubt contact a qualified plumber or retailer to assist.

Check that no parts are missing or damaged. If parts are missing do not install and contact our customer services.

A standard 220/240v grounded 13 amp switched electrical outlet is required under the sink for the appliance electrical power. The Aquataps instant hot water tank is only intended for use with compatible Aquataps boiling water taps. Using this tank with any other tap will invalidate the warranty.

Do not plug in the tank until all water connections have been checked, is watertight and the tank has been filled. The tank is filled once water starts to pass out the tap spout. It is recommended before using the tank, to flush through several litres of water to remove any air in the system when installing.

Please note, that in order to avoid having pressurised boiling water and to comply with UK byelaws, this is an open vented system. In order to ensure the instant hot water tank delivers the highest quality drinking water and is protected from limescale build up, the water filter must be replaced **every 6 months**. Failure to do so may invalidate your product warranty.

Contact us at **info@aquataps.co.uk** or these can be purchased online at **www.aquataps.co.uk** or by calling **01268 727823**



- To prevent against electrical shock do not place the hot water tank near or in water or other liquids and install on a flat surface.
- Do not install in environments above 35°C or exposed to freezing.
- Can be used by children 12+ or people with learning difficulties if they have been given supervision or instructed on the hazards involved.
- Do not operate or install electrical connections with wet hands
- Do not install the appliance if it appears damaged in any way
- Only use power lead supplied with the product. If the power lead is damaged, stop using immediately and contact customer services for a replacement.
- Do not remove tank casing, this product is not serviceable and should be returned to the manufacturer in the event of a fault.
- Do not modify the tank or remove the plug as this will invalidate the warranty and could cause serious injury. Design for UK 3 pin socket only.
- If the unit is unused for extended periods of time it should be unplugged, drained, re-filtered and refilled.
- The tap and water tank can be cleaned with a lint free damp cloth.
- Do not use any abrasive or corrosive cleaning products as this will damage the surface of the product.
- Replace the filter every 6 months



aquatap **CLASSIC**

4 in 1 BOILING WATER TAP

1x **A** 4 in 1 Tap

1x **B** O-Ring

1x **C** Rubber Washer

1x **D** Metal Washer

1x **E** Fixing Nut

1x **F** 1/2" to 3/8" connector

1x **1** Flexible Hose For Cold Water

1x **2** Flexible Hose For Warm Water

1x **3** Hose For Filtered Water

1x **4** Hose For Chilled Water

1x **5** Hose For Filtered Water In

1x **6** Silicon Hose For Boiling Water

1x **7** Filter Inlet Hose

1x **8** Filter Outlet Hose

1x **9** Chilled Water Inlet Hose

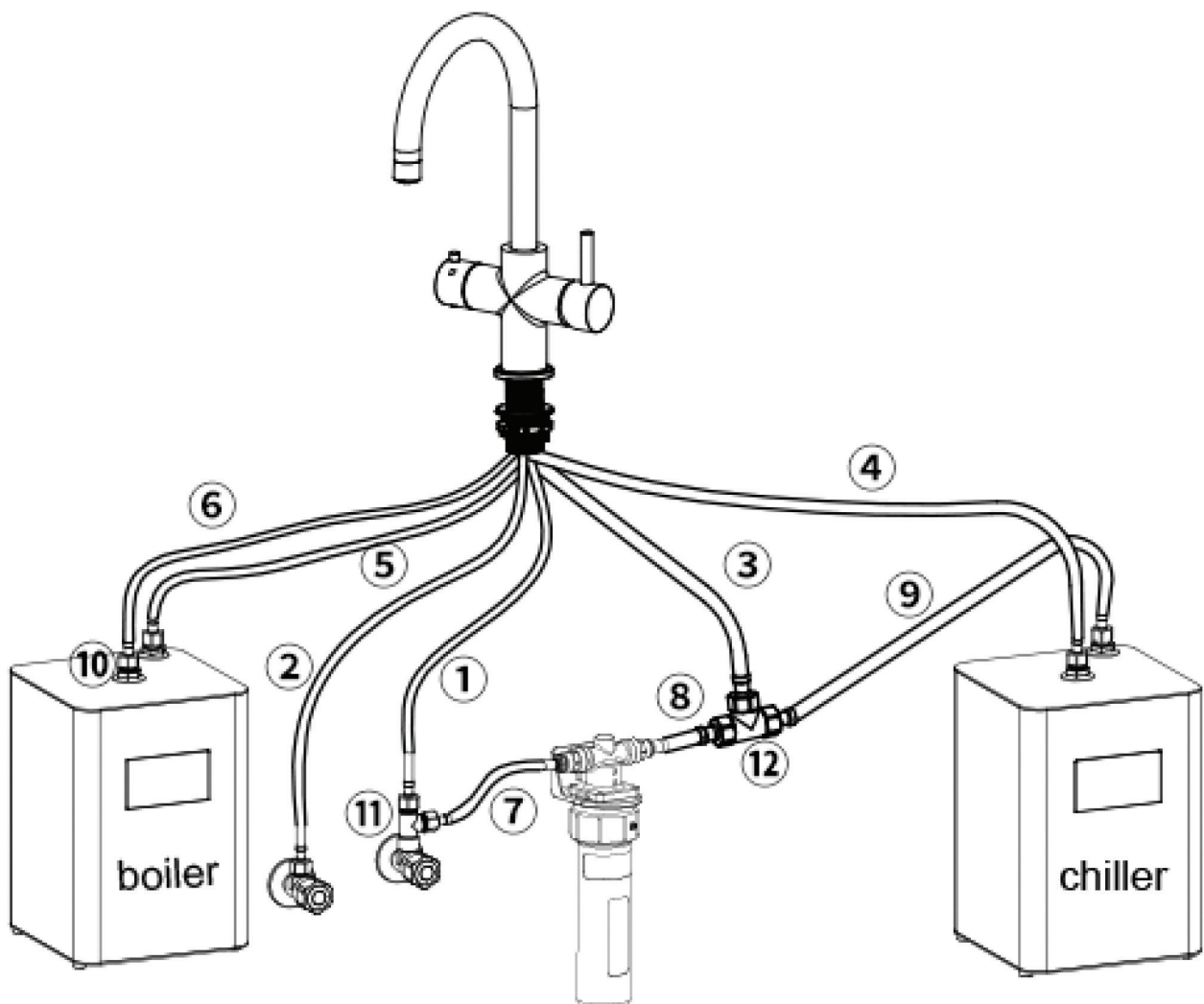
1x **10** Silicone Tube Connector

1x **11** 3-Way Connector

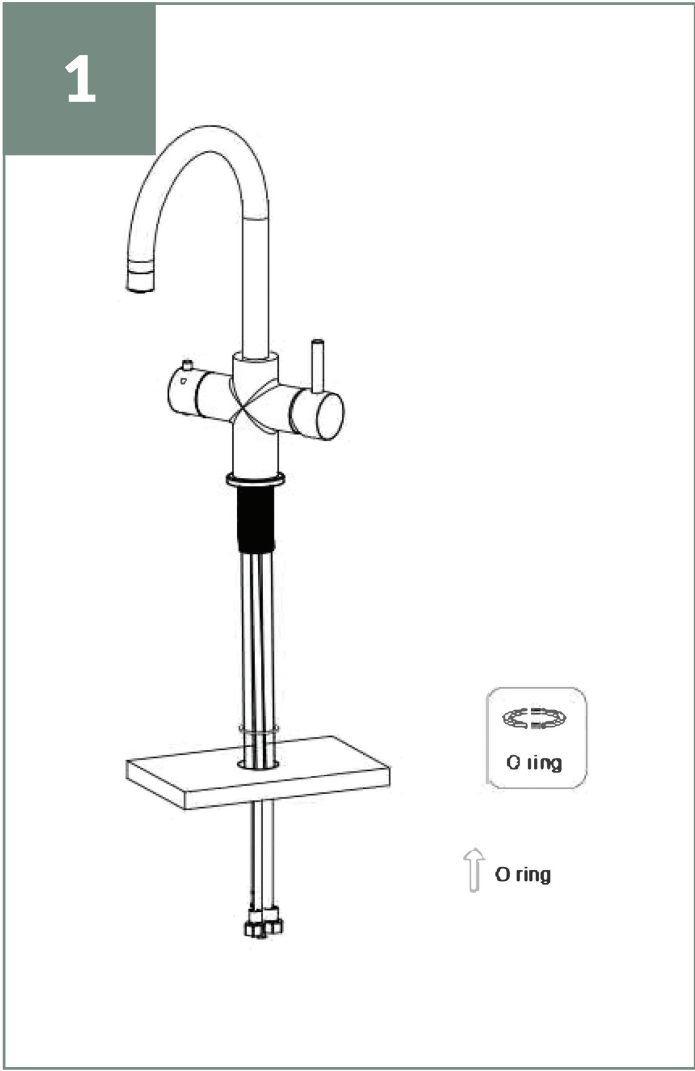
1x **12** 3-Way Connector

aquatap CLASSIC

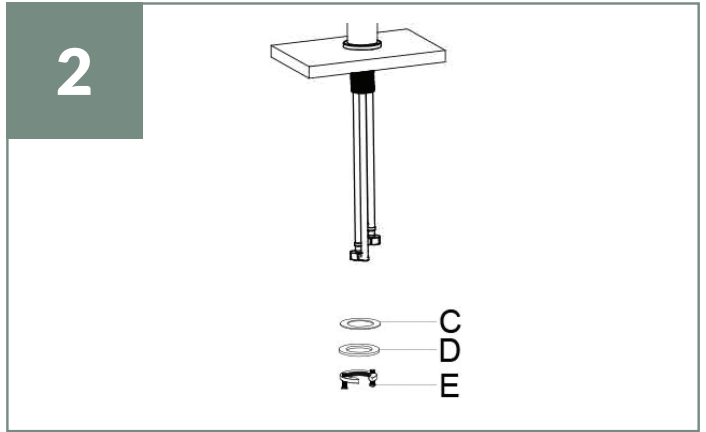
4 in 1 BOILING WATER TAP



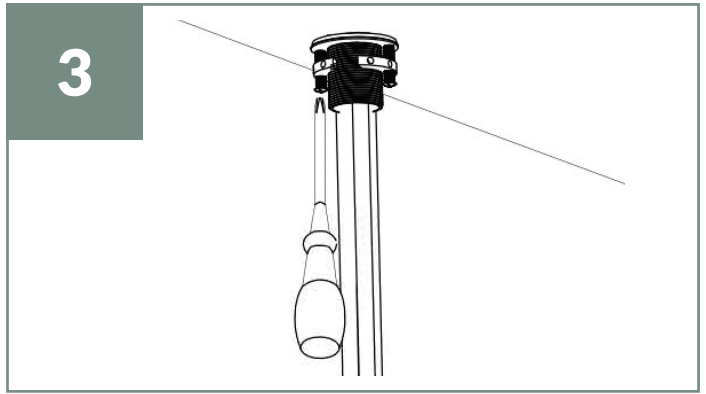
TOP TIP : Pass the 3 hoses with nuts through the surface hole first and then pass the 3 hoses without nuts to help with your installation.



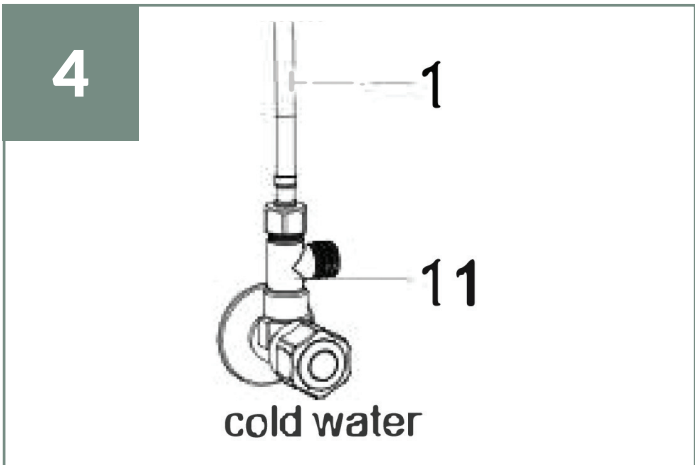
Put O ring(B) on the bottom of the tap, then put the four flexible hoses and one silicone tube through the sink hole.



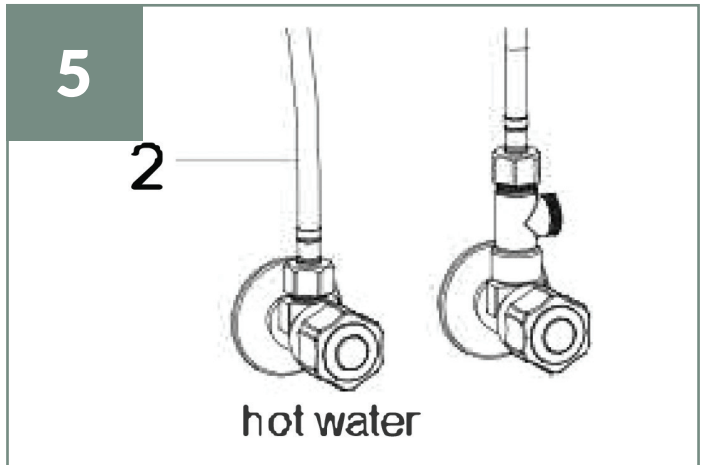
Put the rubber washer (C), metal washer (D), and fixing nut (E) through the hose in turn, fix them on the thread connector, tighten them by hands.



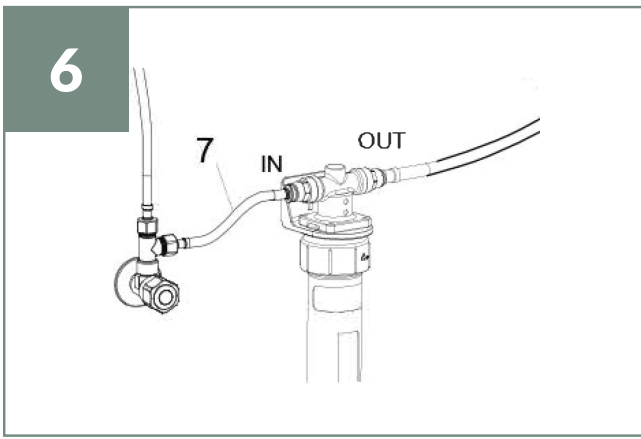
Use a cross screwdriver to tighten the two fixing screws.



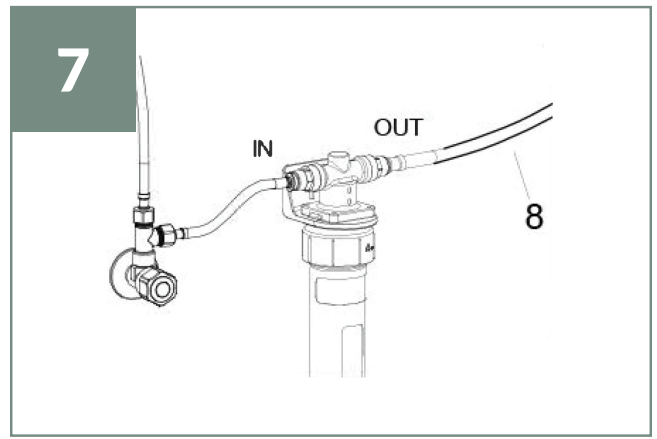
Connect the 3-way connector (11) to the cold water house valve. Then Connect the cold water inlet hose (1) to one side of the 3- way connector and tighten it with a wrench.



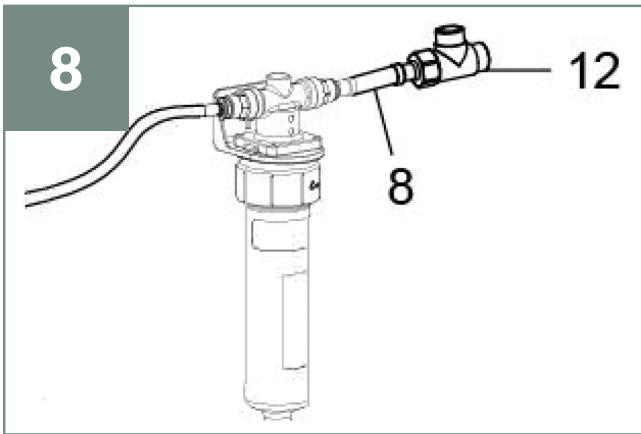
Connect the hot water inlet hose (2) to the hot water house valve and tighten it with a wrench.



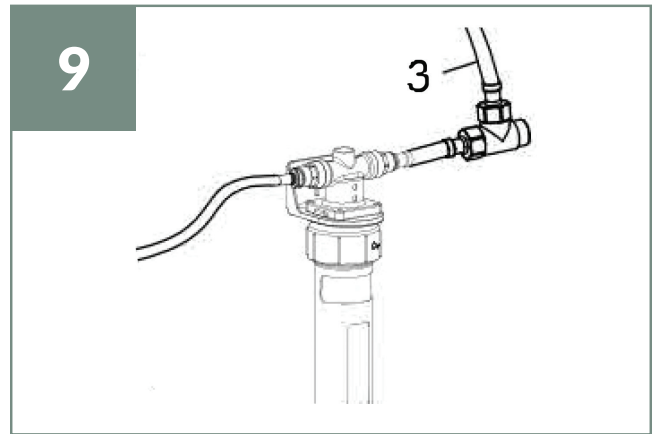
Connect the filtered water hose (7) to the 3-way connector and tighten it with a wrench, then insert the other end of the hose (7) into the filter's inlet.



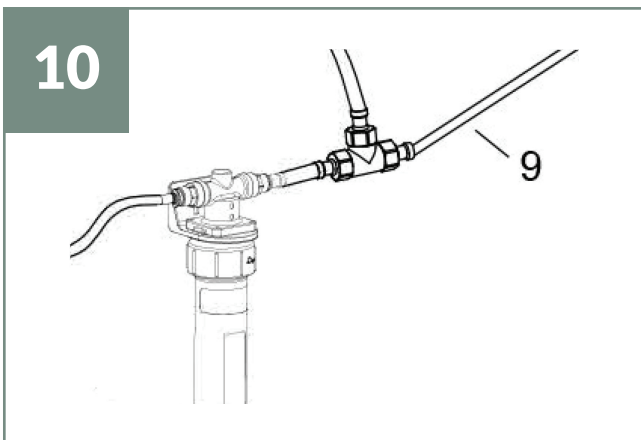
Insert the filter outlet hose (8) into the filter's outlet .



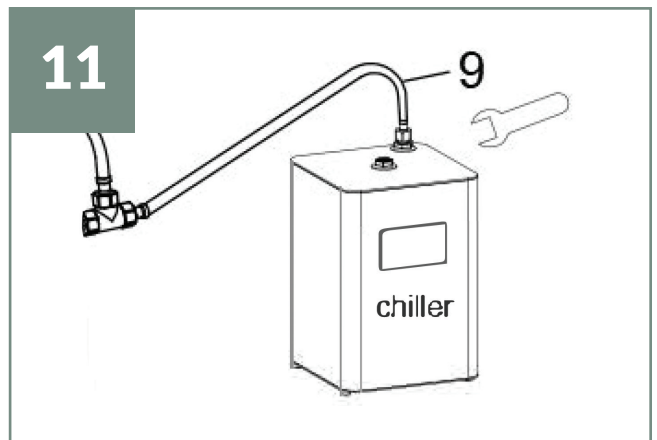
Connect the filter outlet hose (8) to one side of the 3-way connector (12) and tighten it with a wrench.



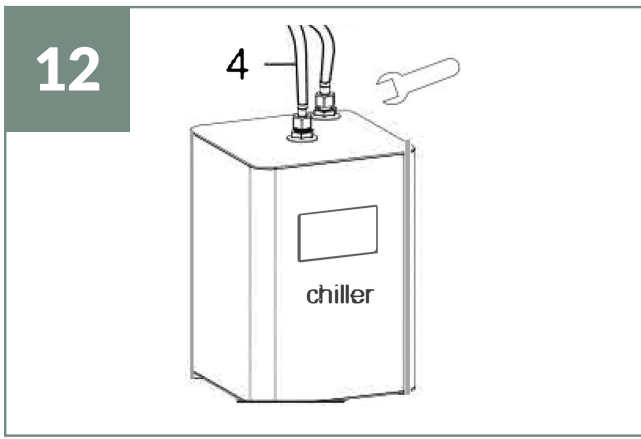
Connect the filtered water inlet hose (3) to one side of the 3-way connector, and tighten it with a wrench.



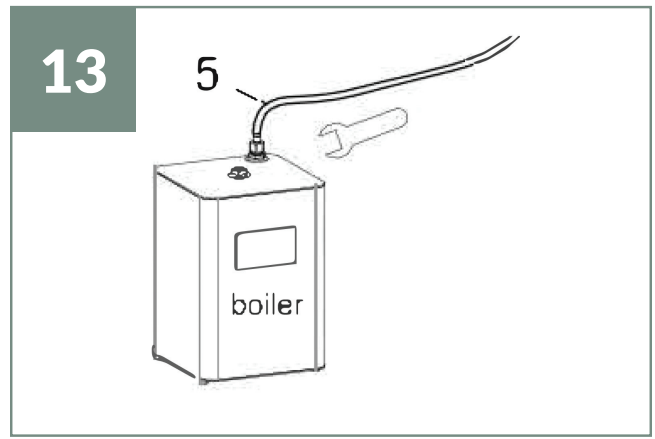
Connect the chilled water inlet hose (9) to the side of the 3-way connector, and tighten it with a wrench.



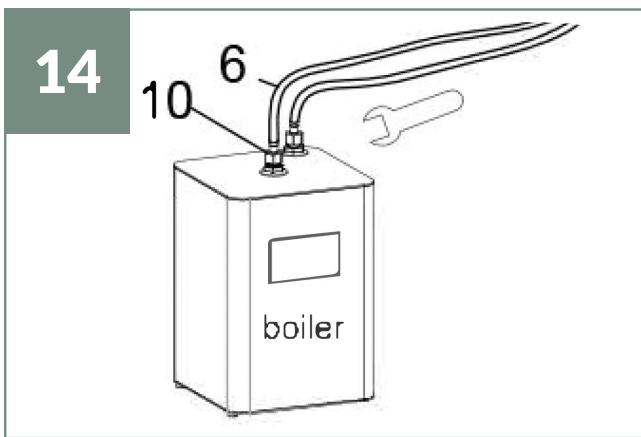
Connect the other end of the chilled water inlet hose (9) to the inlet of the chiller, and tighten it with a wrench.



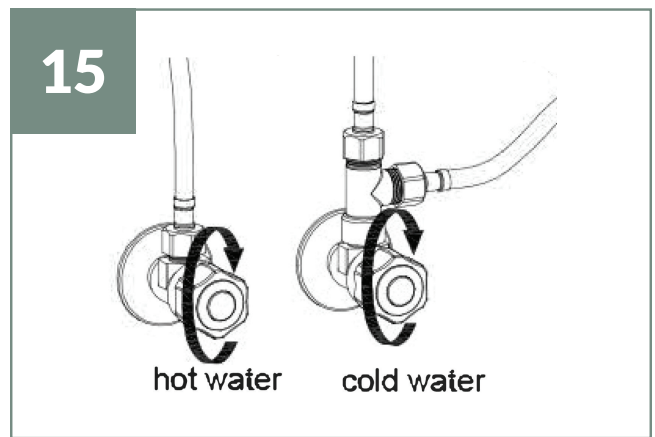
Connect the chilled water outlet hose (4) to the outlet of the chiller and tighten it with a wrench.



Connect the chilled water outlet hose (4) to the outlet of the chiller and tighten it with a wrench.



Connect the boiling water silicone tube (6) and the silicone tube connector (10) to the outlet of the boiler, and tighten it with a wrench.



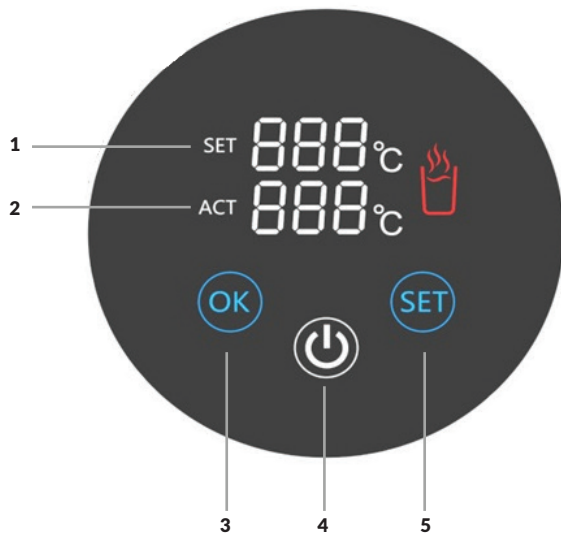
Turn on house valve for hot and cold water, check and ensure no leakage for each connection. Open the handle for boiling water and chilled water to fill the water tank and exhaust air in the tank.

If you don't use a chiller, finish the 9 steps and follow the following steps to have normal temperature filtered water: 10, 13, 14, 15

aquatap CLASSIC

Boiling Water Tank

OPERATION INSTRUCTIONS - INSTANT HOT WATER TANK



1. Set Temperature
2. Actual Temperature
3. 'OK' Button
4. Power Button
5. 'Set' Button to adjust temperature

INSTRUCTIONS:

- (i) Fill the boiler with water by running the boiling water side on the tap
- (ii) Press and hold the power button (4) for **three seconds**
- (iii) The LCD ring around the outside will now illuminate

NOTE: Using the + and - buttons of the screen, the tank can be preset to 55°C, 65°C, 75°C, 85°C, 90°C, 95°C, 96°C, 97°C or 98°C.

aquatap CLASSIC

TROUBLESHOOTING

Problem	Likely Fault(s)	Solution
Water and steam spitting from tap	Unit is boiling.	Reduce the water temperature on the tank display to a lower setting. Check aerator is not blocked by unscrewing top nozzle. Aerator should be detached from silicone tube and cleaned if required.
Unit not heating.	Issue with power supply	Make sure the fuse has not blown, or circuit breaker tripped.
Unit not heating.	The electronic display has not been powered up.	Turn on power and touch the on/off button. Set the required temperature using + or - button
Dispensed water is too hot.	Water temperature setting on display panel is set too high.	Reduce required temperature using - button.
Water is dripping from the tap.	The expansion chamber isn't draining the system correctly due to very small draw off of water.	Draw off 0.5L of water to clear and prime the system. Avoid less than 150ml draw-offs of water.
Slow flow from the spout.	Water filter may be blocked from impurities in the inlet mains water	Replace filter cartridge.
Water does not flow straight away.	The application is designed for non-pressurised operation which will cause a slight delay before water is dispensed.	No action required.
No water coming from the tap.	Water valve has been shut off.	Check all the valves are open.
No water coming from the tap.	Inlet pipes are twisted or blocked.	Ensure the pipes are not twisted or kinked to restrict flow. Check aerator is not blocked by unscrewing top nozzle. Aerator should be detached from silicone tube and cleaned if required.

aquataps
THE FILTERED TAP COMPANY

CUSTOMER CARE

Tel: 01268 727823

Email: info@aquataps.co.uk

www.aquataps.co.uk